

### 208~230V Modular Ultra Heat Recovery

**Model:**  
**GMV-VQ96W/A-F(U)**



| Specifications                                     | Unit                        | Parameter  |
|--|-----------------------------|--|
| Model  | —                           | GMV-VQ96W/A-F(U)   |
| <b>Performance</b>                                 |                             |  |
| Rated Cooling Capacity(*1)                         | kBtu/h                      | 92   |
| Rated Heating Capacity(*2)                         | kBtu/h                      | 103  |
| Power Input  | Cooling(kw)Ducted/No Ducted | 8.36/8.21  |
|  | Heating(kw)Ducted/No Ducted | 8.88/8.63  |
| Sound Pressure Level                               | dB(A)                       | 60   |
| Operating Temperature Range                        | Cooling(Outdoor)°C/°F       | -10~52/14~125.6  |
|  | Heating(Outdoor)°C/°F       | -30~24 /-22~75.2   |
| <b>AHRI Ratings(Ducted/Non-Ducted)</b>             |                             |  |
| EER  | W/W                         | 11/11.2  |
| IEER   | —                           | 19/21  |
| COP  | W/W                         | 2.25~3.4/2.25~3.5  |
| <b>Electrical Data</b>                             |                             |  |
| Power Supply                                       | V/Ph/Hz                     | 208~230/1/60   |
| Maximum Overcurrent Protection (MOP)               | A                           | 60   |
| Minimum Circuit Amps (MCA)                         | A                           | 45   |
| <b>Fan</b>   |                             |  |
| Type x Quantity                                    | —                           | Axial-flow×2   |
| Air Flow Volume                                    | CFM                         | 8239   |
| Fan Motor Power Output                             | W                           | 750  |
| Max.External Static Pressure (ESP)                 | Pa                          | 82   |
| <b>Compressor</b>                                  |                             |  |
| Compressor Type x Quantity                         | —                           | Inverter Rotary×2  |
| Compressor Rated Load Amps (RLA)                   | A                           | 16   |
| Compressor Refrigerant Oil Type                    | —                           | FV50S  |
| Compressor Refrigerant Oil Charge Volume           | L/Gal                       | 1.35×2 / 0.36×2  |
| <b>Refrigerant Piping</b>                          |                             |  |
| Connection Pipe                                    | Gas(mm/inch)                | Φ28.6/Φ1-1/8   |
|  | Liquid(mm/inch)             | Φ12.7/Φ1/2   |
| Max. Equivalent Connection Pipe Length(ODU to IDU) | m/ft                        | 165/541.3  |
| Refrigerant Charge                                 | kg/oz                       | 11/388.1   |
| Refrigerant  | —                           | R410A  |
| <b>Dimension/Weight</b>                            |                             |  |
| Dimensions (H×W×D)                                 | mm/inch                     | 1605×1340×765<br>(63-1/4×52-3/4×30-1/8)                          |
| Net Weight   | kg/lbs                      | 375/826.875  |
| <b>Other</b>                                       |                             |  |
| Indoor Unit  | Total Capacity(%)           | 50%~135%   |
|  | Max Connectable Quantity    | 17   |
| Certification                                      | —                           | ETL/AHRI   |
| Condenser Fin Color                                | —                           | Gold   |
| Protection Devices                                 | High Pressure               | High pressure sensor, High pressure switch<br>601 psi (4.15 MPa) |
|  | Inverter Circuit            | Over-heat protection, Over-current protection                    |
|  | Compressor                  | Discharge temp protection, Over-current protection               |

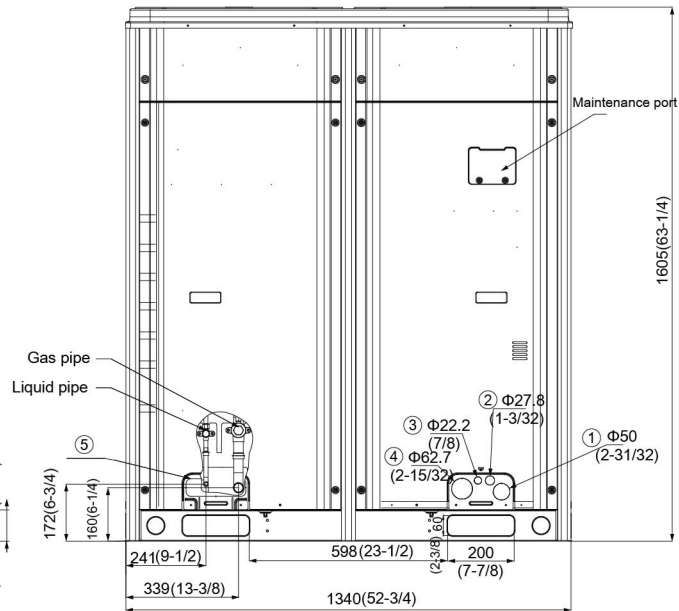
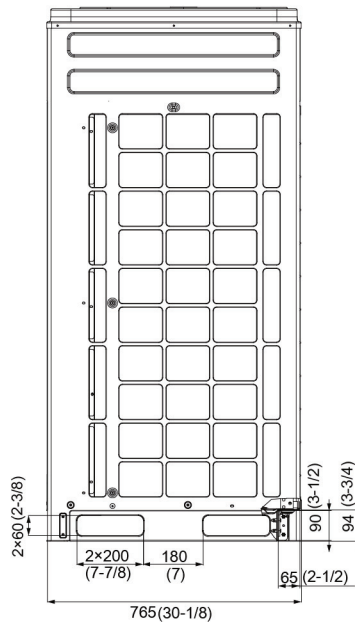
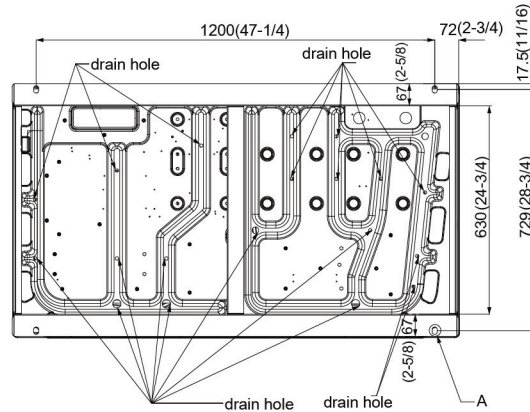
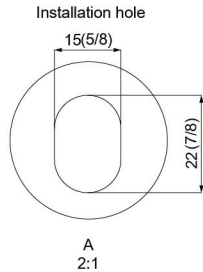
\*1 Cooling | Indoor: 80°F(26.7°C)DB / 67°F(19°C)WB; Outdoor: 95°F(35°C)DB

\*2 Heating | Indoor: 70°F(21.1°C)DB / Outdoor: 47°F(8.3°C)DB / 43°F(6°C)WB

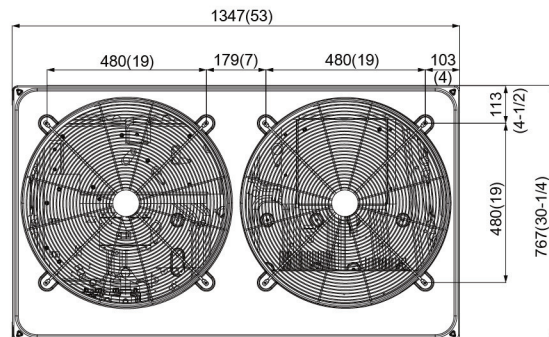


|                       |  |       |  |
|-----------------------|--|-------|--|
| Job Name:             |  | Date: |  |
| System Reference No.: |  |       |  |
| Engineer Signature:   |  |       |  |

### Outline and Physical Dimensions of GMV-VQ96W/A-F(U).



| No. | Usage | Size<br>mm(in.) |
|-----|-------|-----------------|
| ①   | Wire  | Φ50(2-31/32)    |
| ②   |       | Φ27.8(1-3/32)   |
| ③   |       | Φ22.2(7/8)      |
| ④   |       | Φ62.7(2-15/32)  |
| ⑤   | Pipe  | 180x53(7x2)     |



Unit:mm(in.)