

Submittal Data: GRILLE-ALU-CLEAR Architectural Aluminum Grille

Job Name	Location	Date
Purchaser	Engineer	
Submitted To	For <input type="checkbox"/> Reference <input type="checkbox"/> Approval <input type="checkbox"/> Construction	
Schedule No.		

GENERAL FEATURES

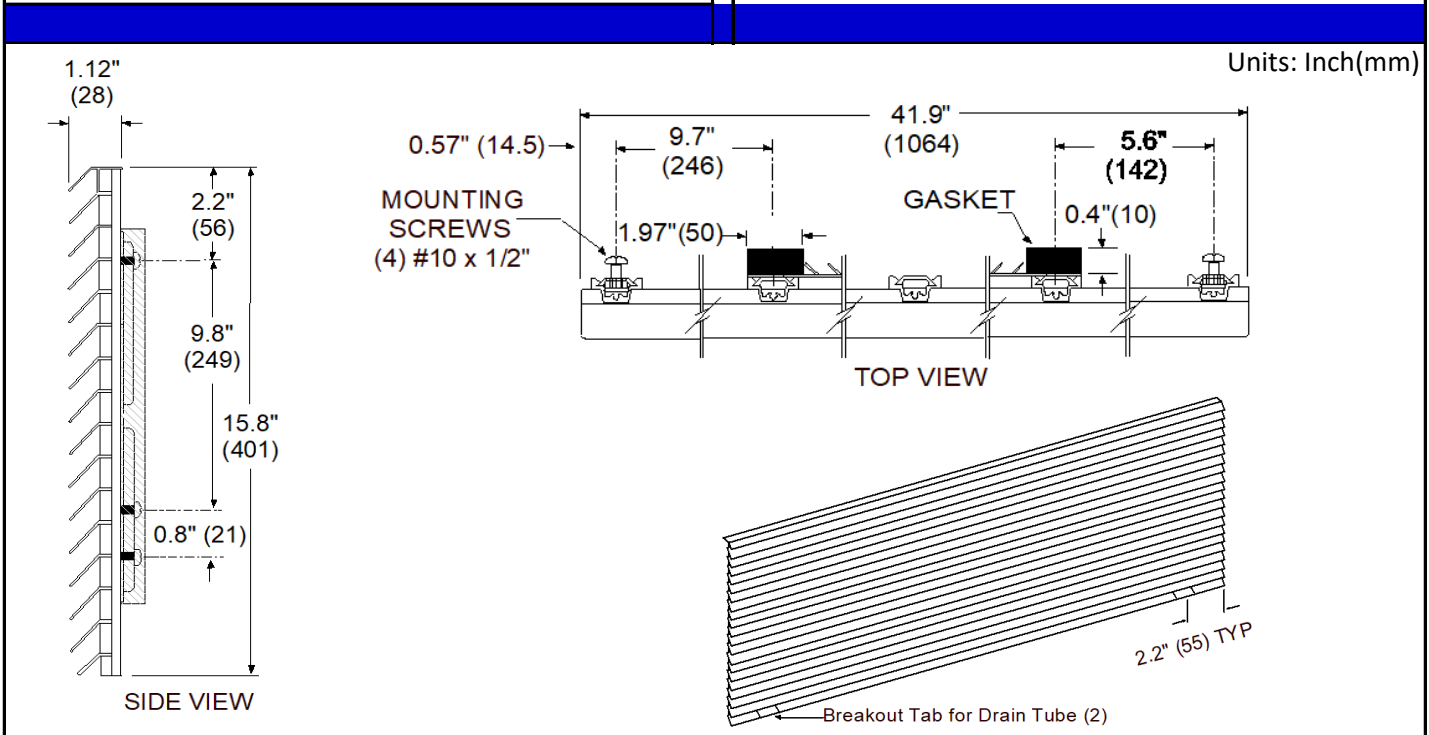
- Decorative architectural style aluminum grille.
- Clear anodized aluminum color.
- 42 in. x 16 in. design.
- Designed to be mounted easily from inside the room.
- Right & left drain hole knockouts provided.
- Condenser air baffle/gaskets with vertical air deflectors.



Specifications

Material: Extruded aluminum, Alloy 6063-T5
 Finish: Clear Anodized
 Louver Thickness: 0.04 inch (1.016 mm), nominal
 Louver Pitch: 50°
 Condenser Free Area: 65.3 %

Unit Dimensions	
Length	41.9-in
Height	15.8-in
Depth	1.12-in
Weight	7.5-lbs
Shipping Dimensions	
Length	43.5-in
Height	2-in
Depth	16-in
Weight	8-lbs
Pallet Qty	44 pcs



Specifications are subject to change without notice. Manufacturer reserves the right to discontinue or modify specifications or designs without notice or without incurring obligations. All rights reserved.