

## SUBMITTAL DATA

GWHD(30)ND3MO  
30000 BTU/H Multi-Zone Heat Pump System

Job Name

Location

Date

Purchaser

Engineer

Submitted to

For

Unit Designation

Schedule No.



GWHD(30)ND3MO

## GENERAL FEATURES

- AHRI Certificate: 208786091 (Non-Ducted) • Multi-point Diagnostics
- 208786094 (Ducted) • 10 Years Parts Warranty.
- 208786099 (Mixed) • Low Ambient Cooling down to -20°F (Range -22°F to 118°F)
- High Efficiency DC Inverter Technology • Low Ambient Heating down to -22°F (Range -22°F to 75°F)
- Compact and Quiet Design • Coil (Indoor and Outdoor) Copper Tube / Aluminum Fin
- Auto Restart on Power Outages • Blue Colored Fin - 500 Hrs Salt Spray Tested

## SPECIFICATIONS, FEATURES & FUNCTION SUMMARY

SPECIFICATIONS		GWHD(30)ND3MO	
System Type	HEAT PUMP		
Number of Zones	2 - 4		
SYSTEM PERFORMANCE		NON-DUCTED INDOOR UNITS	
Cooling	Min - Max	Btu/h	8190 - 34100
	Capacity @95°F	Btu/h	28400
Heating	Min - Max	Btu/h	8190 - 40900
	Capacity @5°F	Btu/h	22800
	Capacity @17°F	Btu/h	27200
	Capacity @47°F	W	30000
SEER2	21		
EER2	12.5		
HSPF2	10		
COP @5°F	1.8		
COP @47°F	3.9		
SYSTEM PERFORMANCE		DUCTED INDOOR UNITS	
Cooling	Min - Max	Btu/h	8190 - 34100
	Capacity @95°F	Btu/h	28400
Heating	Min - Max	Btu/h	8190 - 40900
	Capacity @5°F	Btu/h	26800
	Capacity @17°F	Btu/h	26800
	Capacity @47°F	W	30000
SEER2	16		
EER2	11		
HSPF2	8		
COP @5°F	3.4		
COP @47°F	3.4		
SYSTEM PERFORMANCE		MIXED DUCTED AND NON-DUCTED INDOOR UNITS	
Cooling	Min - Max	Btu/h	8190 - 34100
	Capacity @95°F	Btu/h	28400
Heating	Min - Max	Btu/h	8190 - 40900
	Capacity @5°F	Btu/h	30000
	Capacity @17°F	Btu/h	30000
	Capacity @47°F	W	30000
SEER2	18.5		
EER2	11.8		
HSPF2	9		
COP @5°F	3.7		
COP @47°F	3.7		
OUTDOOR UNIT		GWHD(30)ND3MO	
Cooling Temperature Range	°F	-22 - 118	
Heating Temperature Range	°F	-22 - 75	
Refrigerant Type	R410A		
Compressor Type	GREE G-10 / 2 - STAGE INVERTER		
Sound Pressure Level	dB(A)	63	
External Dimensions (W x H x D)	in	40-3/16 x 32-9/16 x 16-13/16	
Package Dimension (W x H x D)	in	43 x 34-7/8 x 19-5/8	
Net Weight	lbs	152.1	
Gross Weight	lbs	167.6	

REFRIGERANT PIPING		
Refrigerant Charge - R410A	oz	105.8
Additional Charge	oz/ft	0.2
Port Size (Liquid - Gas)	port A (in)	1/4 - 3/8
	port B (in)	1/4 - 3/8
	port C (in)	1/4 - 3/8
	port D (in)	1/4 - 3/8
	port E (in)	1/4 - 3/8
Pre-Charge Length	ft	131
Pipe Length (Min - Max)	ft	10 - 263
Pipe Length to furthest Indoor Unit	ft	82
Max. Pipe Elevation	ft	82
ELECTRICAL		
Power Supply	208-230V / 1Ph / 60Hz	
Voltage Range (Min - Max)	VAC	187 - 253
Rated Current - Cooling	A	22
Rated Current - Heating	A	22
MCA	A	23
MOCP	A	35
Suggested Breaker Size	A	25
Main Power Wire Size	AWG	Per Local Code
Interconnecting Wire Size	AWG	14 / 4

FEATURES & FUNCTIONS SUMMARY	GWHD(30)ND3MO
SYSTEM FEATURES	
Inverter Type	G10
Ultra Low Frequency Torque Control	Yes
Power Factor Correction	Yes
Compressor Type - Inverter	High Efficiency Rotary
Basepan With Electric Heater	Yes
Indoor & Outdoor Fin Coating (Blue Fin)	Yes
Intelligent Defrosting	Yes
Intelligent Preheating	Yes
Low Voltage Startup	Yes
Memory/Power Failure Recovery	Yes
Self Diagnosis	Yes

## ALLOWABLE COMBINATIONS CAPACITIES

MODEL NUMBER	POSSIBLE COMBINATIONS	COOLING CAPACITY (Btu/h)					HEATING CAPACITY (Btu/h)				
		ZONE1	ZONE2	ZONE3	ZONE4	ZONE5	ZONE1	ZONE2	ZONE3	ZONE4	ZONE5
GWHD(30)ND3MO	5K+5K+5K	5,000	5,000	5,000			6,000	6,000	6,000		
GWHD(30)ND3MO	7K+7K+7K	7,000	7,000	7,000			8,000	8,000	8,000		
GWHD(30)ND3MO	5K+5K+7K	5,000	5,000	6,000			6,000	6,000	8,000		
GWHD(30)ND3MO	5K+7K+7K	5,000	7,000	7,000			6,000	8,000	8,000		
GWHD(30)ND3MO	5K+5K+5K+5K	5,000	5,000	5,000	5,000		6,000	6,000	6,000	6,000	
GWHD(30)ND3MO	7K+7K+7K+7K	7,000	7,000	7,000	7,000		8,000	8,000	8,000	8,000	
GWHD(30)ND3MO	5K+5K+5K+7K	5,000	5,000	5,000	7,000		6,000	6,000	6,000	8,000	
GWHD(30)ND3MO	5K+5K+7K+7K	5,000	5,000	7,000	7,000		6,000	6,000	8,000	8,000	
GWHD(30)ND3MO	5K+7K+7K+7K	5,000	7,000	7,000	7,000		6,000	8,000	8,000	8,000	
GWHD(30)ND3MO	9K+9K	9,000	9,000				9,000	9,000			
GWHD(30)ND3MO	9K+12K	9,000	12,000				9,000	12,000			
GWHD(30)ND3MO	9K+18K	9,000	18,000				9,000	18,000			
GWHD(30)ND3MO	9K+24K	7,745	20,655				8,182	21,818			
GWHD(30)ND3MO	12K+12K	12,000	12,000				12,000	12,000			
GWHD(30)ND3MO	12K+18K	11,360	17,040				12,000	18,000			
GWHD(30)ND3MO	12K+24K	9,467	18,933				10,000	20,000			
GWHD(30)ND3MO	18K+18K	14,200	14,200				15,000	15,000			
GWHD(30)ND3MO	18K+24K	12,171	16,229				12,857	17,143			
GWHD(30)ND3MO	9K+9K+9K	9,000	9,000	9,000			9,000	9,000	9,000		
GWHD(30)ND3MO	9K+9K+12K	8,520	8,520	11,360			9,000	9,000	12,000		
GWHD(30)ND3MO	9K+9K+18K	7,100	7,100	14,200			7,500	7,500	15,000		
GWHD(30)ND3MO	9K+9K+24K	6,086	6,086	16,229			6,429	6,429	17,143		
GWHD(30)ND3MO	9K+12K+12K	7,745	10,327	10,327			8,182	10,909	10,909		
GWHD(30)ND3MO	9K+12K+18K	6,554	8,738	13,108			6,923	9,231	13,846		
GWHD(30)ND3MO	9K+12K+24K	5,680	7,573	15,147			6,000	8,000	16,000		
GWHD(30)ND3MO	9K+18K+18K	5,680	11,360	11,360			6,000	12,000	12,000		
GWHD(30)ND3MO	12K+12K+12K	9,467	9,467	9,467			10,000	10,000	10,000		
GWHD(30)ND3MO	12K+12K+18K	8,114	8,114	12,171			8,571	8,571	12,857		
GWHD(30)ND3MO	9K+9K+9K+9K	7,100	7,100	7,100	7,100		7,500	7,500	7,500	7,500	
GWHD(30)ND3MO	9K+9K+9K+12K	6,554	6,554	6,554	8,738		6,923	6,923	6,923	9,231	
GWHD(30)ND3MO	9K+9K+9K+18K	5,680	5,680	5,680	11,360		6,000	6,000	6,000	12,000	
GWHD(30)ND3MO	9K+9K+12K+12K	6,086	6,086	8,114	8,114		6,429	6,429	8,571	8,571	
GWHD(30)ND3MO	9K+12K+12K+12K	5,680	7,573	7,573	7,573		6,000	8,000	8,000	8,000	

Outdoor Unit & Possible Indoor Unit Combinations with AHRI Certified Performance

\*You may substitute the 9K unit with a 5K or 7K High Wall unit, find complete capacity information in the extended ratings chart.

## DIMENSIONS

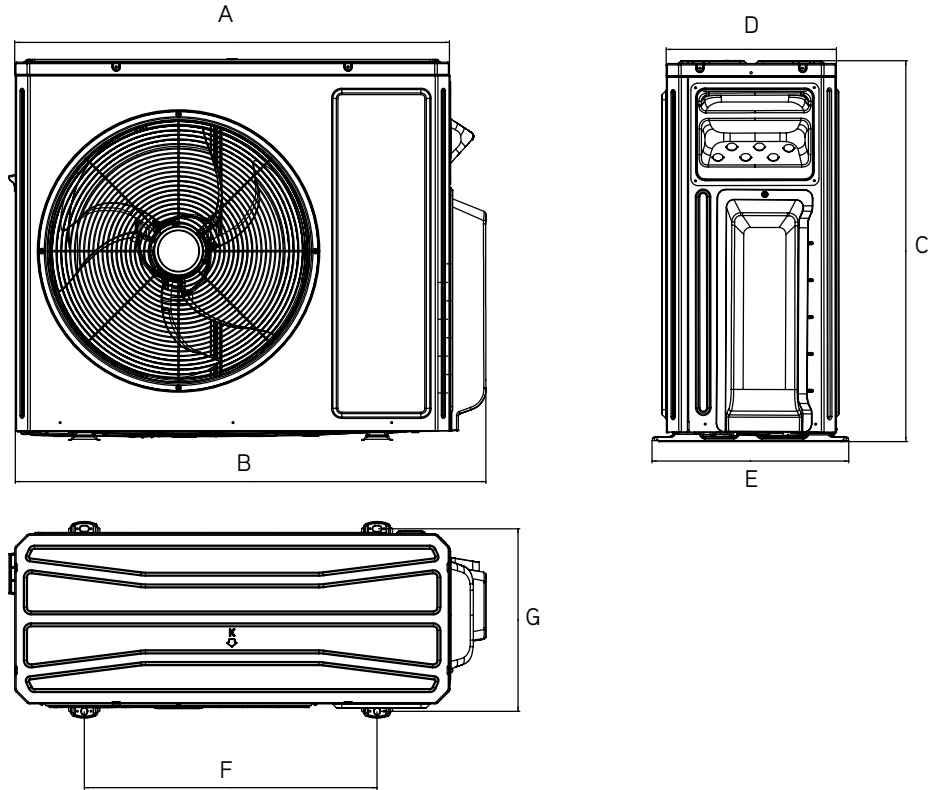
### OUTDOOR UNIT

Unit: inch

GWHD(30)ND3MO

#### DIMENSIONS

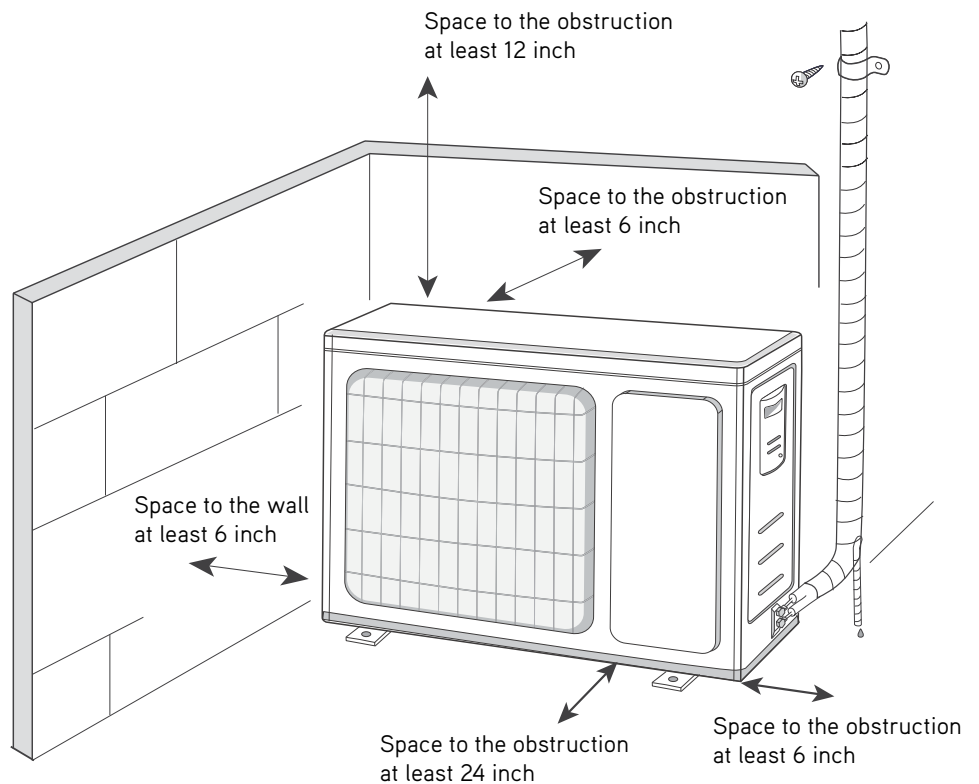
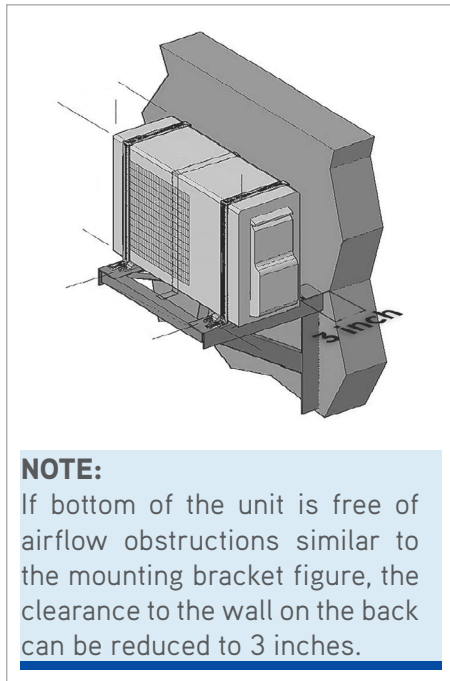
A	37-1/8
B	40-3/16
C	32-9/16
D	14-17/32
E	16-13/16
F	25
G	15-19/32



## CLEARANCES

### OUTDOOR UNIT

Minimum clearance



Specifications are subject to change without notice. Manufacturer reserves the right to discontinue or modify specifications or designs without notice or without incurring obligations. All Rights reserved.