

## 208~230V Console

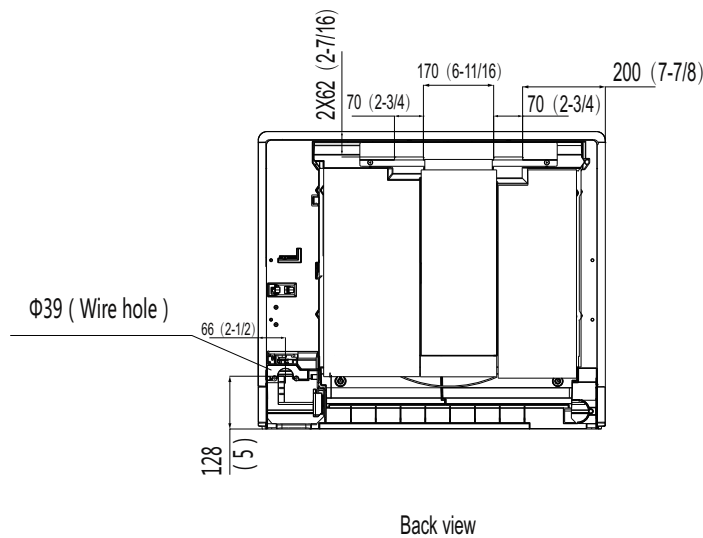
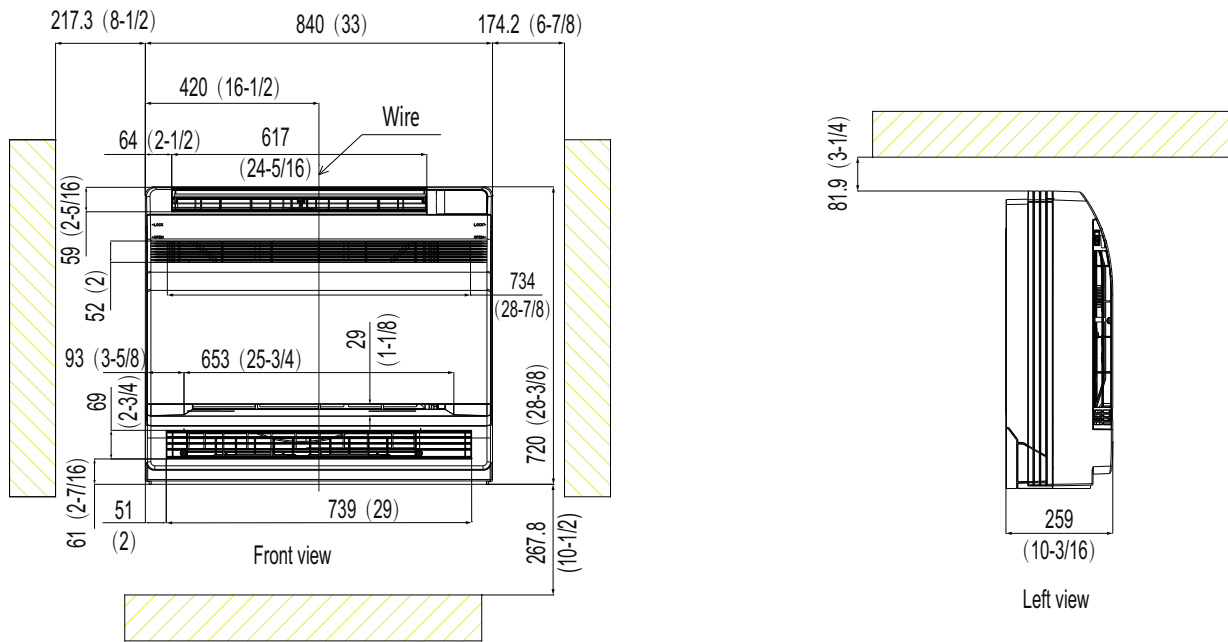
### Model:GMV-ND12C/A-T(U)



Specifications	Unit	Parameter
Model	—	GMV-ND12C/A-T(U)
<b>Performance</b>		
Rated Cooling Capacity	kBtu/h	12
Rated Heating Capacity	kBtu/h	13.5
Sound Pressure Level	dB(A)	32/37/40
<b>Electrical Data</b>		
Power Supply	Voltage,Phase, Hertz	208/230,1,60
Maximum Overcurrent Protection (MOP)	A	15
Minimum Circuit Amps (MCA)	A	1
<b>Fan</b>		
Type x Quantity	—	Centrifugal×1
Air Flow Volume	CFM	182/235/282
Fan Motor Running Current	A	0.4
Fan Motor Power Output	W	30
<b>Refrigerant Piping</b>		
Connection Pipe	Gas(mm/inch)	Φ12.7/Φ1/2
	Liquid(mm/inch)	Φ6.35/Φ1/4
Connection method	—	Flare Connection
Refrigerant	—	R410A
<b>Dimension/Weight</b>		
Dimensions (H×W×D)	mm/inch	600×700×215/ (23-5/8×27-9/16×8-1/2)
Net Weight	kg/lbs	16/35
<b>Other</b>		
Safety Certification	—	ETL

Job Name:		Date:	
System Reference No.:			
Engineer Signature:			

### Outline and Physical Dimensions of GMV-ND12C/A-T(U).



Unit:mm(in.)

